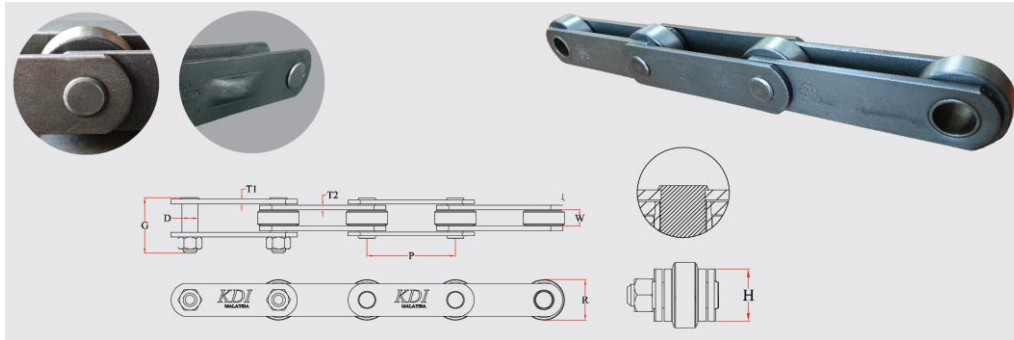


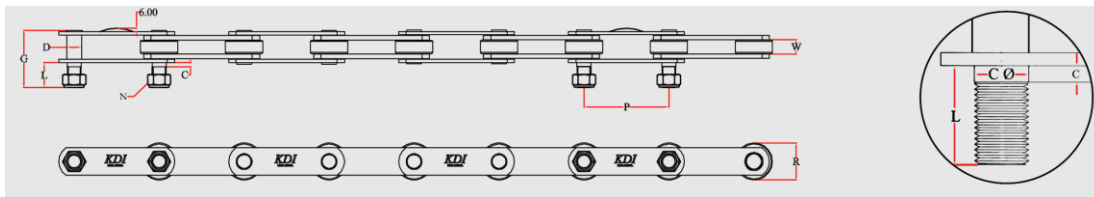
## 6" SOLID RIVETED TYPE



Chain No.	Pitch	Roller	Pin	Inner width	Total width	Plate		Maximum Load	Weight	
						Height	Thickness			
	P	R	D	W	G	H	T1	T2	Lbs	kg/f
KD64	152.4	47.6	19.0	19.0	63.5	38.1	4.5	5.5	37,500	2.0
KD66-WR	152.4	66.7	26.9	25.4	81.0	52.8	6.0	6.0	54,500	3.3
KD66-EX-WR	152.4	66.7	26.9	25.4	83.0	52.8	6.0	8.0	74,000	3.6
KD68-WR	152.4	88.9	30.0	38.1	100.0	61.0	8.0	8.0	75,000	6.7
KD66-XX-WR	152.4	66.7	26.9	25.4	87.0	52.8	8.0	8.0	80,900	7.1

\*mm

## 6" SOLID EXTENDED TYPE WITH WEAR PAD



Chain No.	Pitch	Roller	Pin	Inner width	Total width	Pin Length	Nut	Step	Dia	Extended Pin	Protect pad	Weight
												kg/f
	P	R	D	W	G	L	N	C	c Ø			kg/f
KD64-4EP	152.4	47.6	19.0	19.0	72.0	27.0	M16	5.0	18.0	4 links	Yes	2.2
KD66-6EP-WR	152.4	66.7	26.9	25.4	99.0	45.0	M24	7.5	25.0	6 links	Yes	3.4
KD66-EX-8EP-WR	152.4	66.7	26.9	25.4	103.0	45.0	M24	7.5	25.0	8 links	Yes	3.8
KD66-XX-6EP-WR	152.4	66.7	26.9	25.4	108.0	45.0	M24	7.5	25.0	6 links	Yes	4.0

\*mm