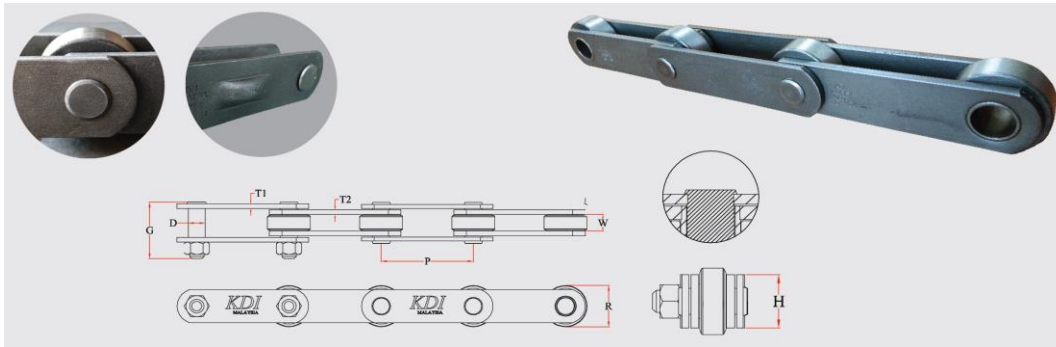


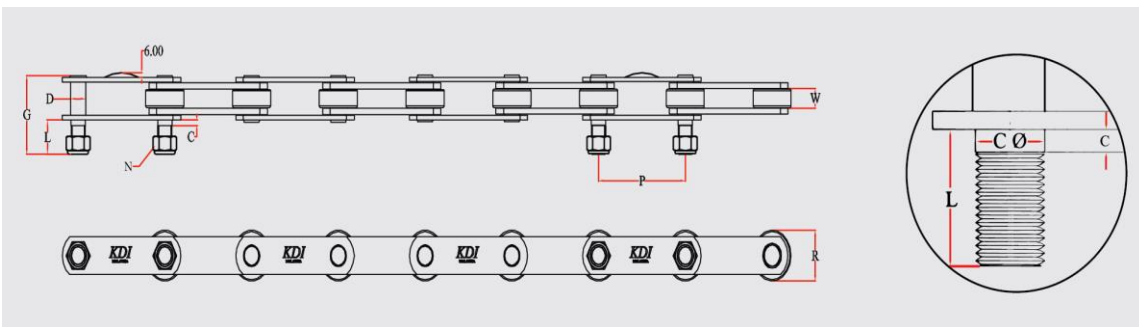
4" SOLID RIVETED TYPE



Chain No.	Pitch P	Roller R	Pin D	Inner width W	Total width G	Plate			Maximum Load Lbs	Weight kg/f
						Height H	Thickness T1 T2			
KD44	101.6	47.6	19.0	19.0	63.5	38.1	4.5	5.5	35,000	2.2
KD46-WR	101.6	66.7	26.9	25.4	81.0	52.8	6.0	6.0	48,000	4.0

*mm

4" SOLID EXTENDED TYPE WITH WEAR PAD



Chain No.	Pitch P	Roller R	Pin D	Inner width W	Total width G	Pin Length L	Nut N	Step C	Dia c Ø	Extended Pin	Protect pad	Weight kg/f
KD44-6EP	101.6	47.6	19.0	19.0	71.0	23.0	M16	5.0	18.0	6 links	Yes	2.2
KD44-8EP	101.6	47.6	19.0	19.0	71.0	23.0	M16	5.0	18.0	8 links	Yes	2.2

*mm