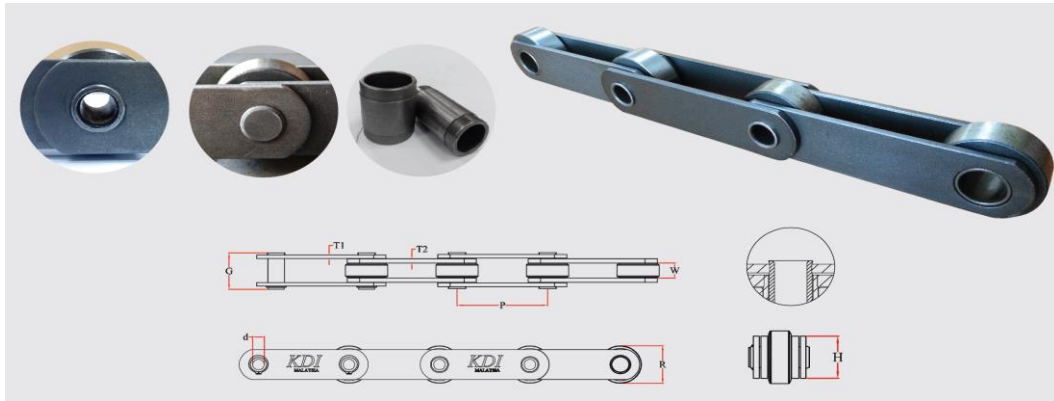


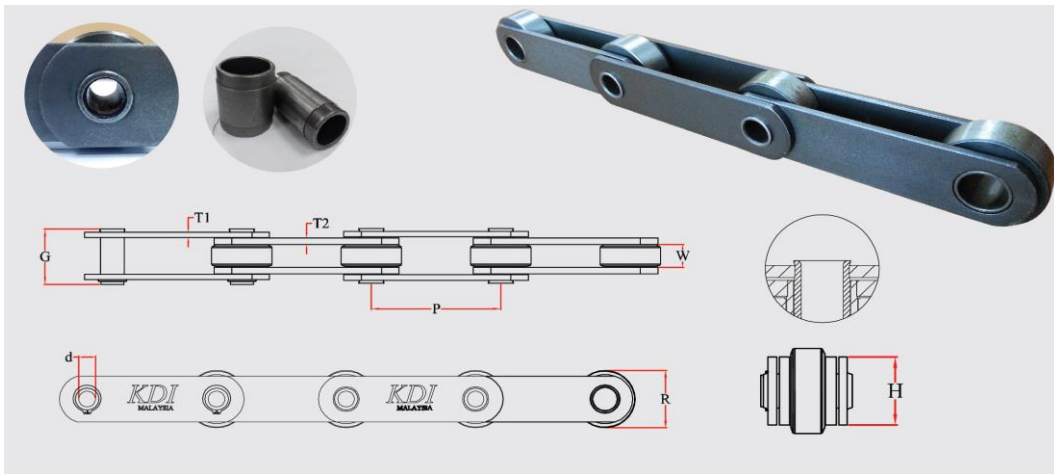
4" HOLLOW TYPE CHAIN



Chain No.	Pitch P	Roller R	Pin D	Inner width W	Total width G	Plate		Maximum Load Lbs	Weight kg/f
						Height H	Thickness T1 T2		
KD44H	101.6	47.6	13.2	19.0	45.0	38.1	4.5 5.5	31,700	1.9
KD46H-WR	101.6	66.7	20.1	25.4	57.0	52.8	6.0 6.0	40,000	3.7

*mm

4" Design for Wet Condition



Chain No.	Pitch P	Roller R	Pin D	Inner width W	Total width G	Plate		Maximum Load Lbs	Weight kg/f
						Height H	Thickness T1 T2		
KD44-PBSS	101.6	47.6	19.0	19.0	45.0	38.1	4.5 5.5	35,000	2.2
KD44H-PBSS	101.6	47.6	13.2	19.0	45.0	38.1	4.5 5.5	31,700	1.9

*mm