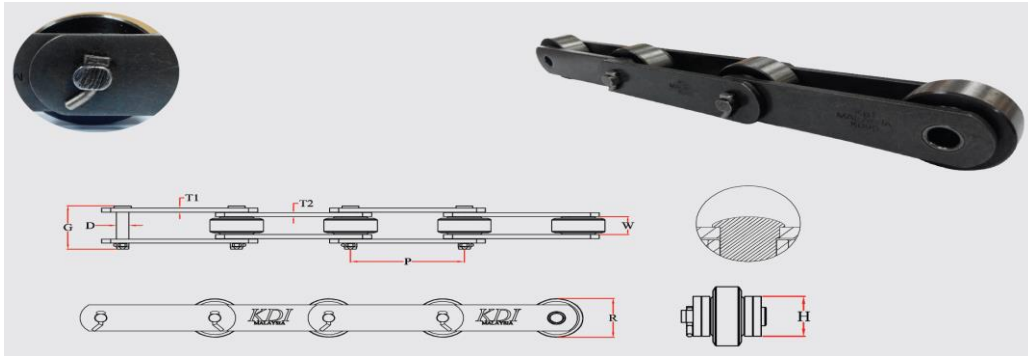


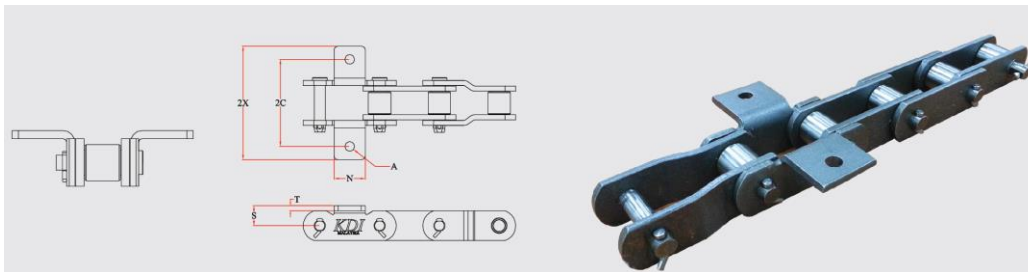
3" SOLID T PIN TYPE



Chain No.	Pitch P	Roller R	Pin D	Inner width W	Total width G	Plate			Maximum Load Lbs	Weight kg/f
						Height H	Thickness T1 T2			
KD9503	76.7	29.0	14.5	30.0	70.0	38.1	6.5	6.5	47,700	2.8

*mm

K1 Attachment



Chain No.	2C	2X	N	A	S	T
KD9503-5K1	111.2	142.0	46.0	12.0	25.4	6.5

*mm