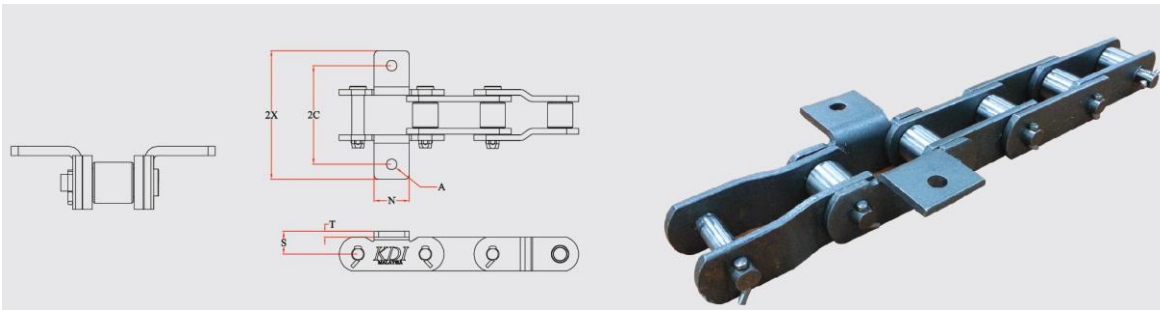


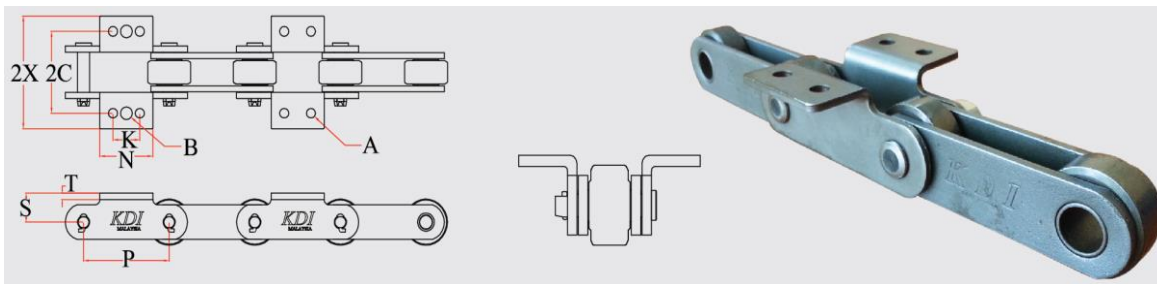
K1



Chain No.	2C	2X	N	A	S	T
KD9503-5K1	111.2	142.0	46.0	12.0	25.4	6.5

*mm

K2/K3



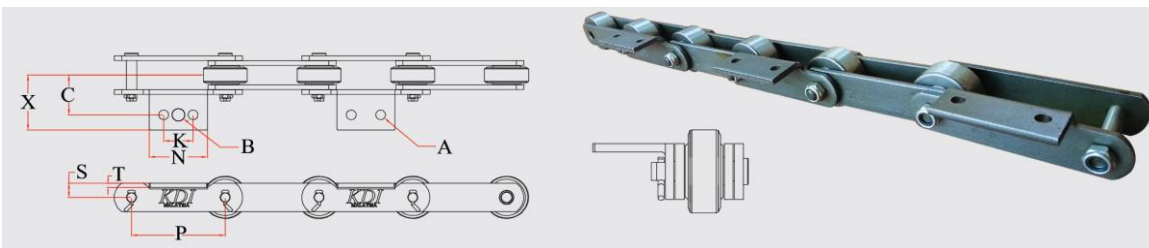
Chain No.	P	2C	2X	K	N	A	B	T	S
KD90-[][K3]	101.6	89.0	124.0	31.8	63.0	10.7	13.9	5.0	31.8
KD94-[][K2]-WR	101.6	89.0	124.0	31.8	63.0	10.7		6.5	31.8
KD604-[][K2]-WR	152.4	101.6	135.0	50.8	90.0	12.0		6.5	31.8
KD44-[][K3]-WR	101.6	91.4	127.5	31.8	63.0	10.7	13.9	4.5	31.8

*mm

[] = links per attachment
 [K] = Attachment model

Example: KD604-6K2-WR
 KD604 chain with 6 links per one K2 attachment

A2/A3



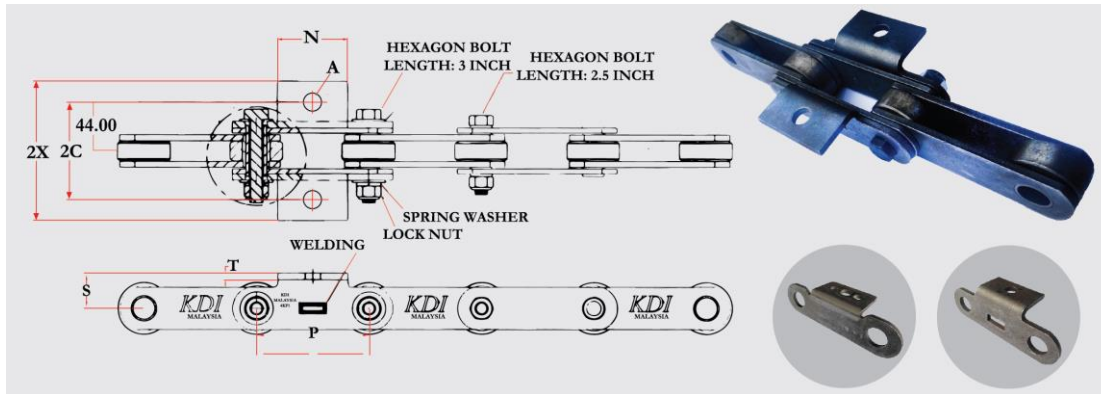
Chain No.	P	C	X	K	N	A	B	T	S
KD90-[][A3]	101.6	44.5	62.0	31.8	63.0	10.7	13.9	5.0	31.8
KD94-[][A2]-WR	101.6	44.5	62.0	31.8	63.0	10.7		6.5	31.8
KD604-[][A2]-WR	152.4	50.8	67.5	50.8	90.0	12.0		6.5	31.8

*mm

[] = links per attachment
 [A] = Attachment model

Example: KD94-6A2-WR
 KD94 chain with 6 links per one A2 attachment

K TYPE ATTACHMENT ACCESSORIES FOR HOLLOW PIN CHAIN (KP1/KP2/KP3)



Chain No.	P	2C	2X	N	A	S	T
KD44H-[4][KP1]	101.6	88.0	126.0	63.5	13.9	31.8	6.0

*mm

[] = links per attachment

Example: KD44H-4KP1

[KP] = Attachment model

KD44H chain with 4 links per one KP1 attachment

* Attachment accessories also in A type (AP1/AP2/AP3)

Refer Chain

Chain No.	Pitch P	Roller R	Pin D	Inner width W	Total width G	Plate			Maximum Load Lbs	Weight kg/f
						Height H	Thickness T1 T2			
KD90	101.6	47.6	11.3	21.4	53.0	32.0	5.0	5.0	29,900	1.9
KD94-WR	101.6	50.8	14.5	30.0	70.0	38.1	6.5	6.5	45,300	3.0
KD604-WR	152.4	50.8	14.5	30.0	70.0	38.1	6.5	6.5	40,000	2.3
KD9503	76.7	29.0	14.5	30.0	70.0	38.1	6.5	6.5	47,700	2.8

*mm

*PLEASE REQUEST IF YOU NEED OTHER CHAIN TYPE WITH ATTACHMENT OR CUSTOMIZE CHAIN WITH ATTACHMENT

