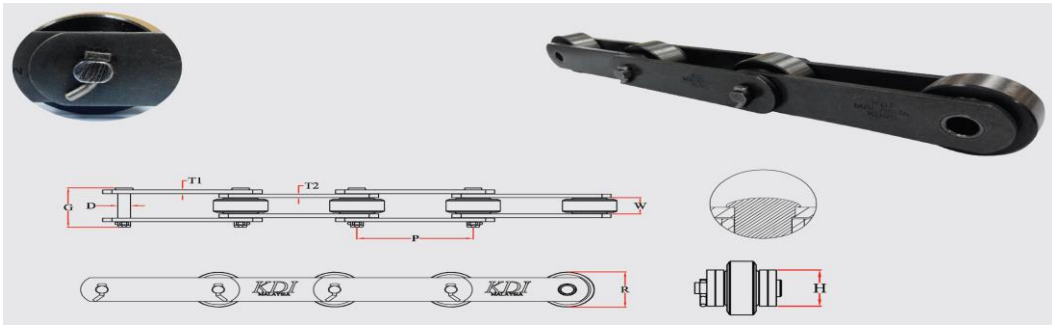


#### 4" SOLID T PIN TYPE



Chain No.	Pitch	Roller	Pin	Inner width	Total width	Plate			Maximum Load	Weight
						Height	Thickness			
	P	R	D	W	G	H	T1	T2	Lbs	kg/f
KD90	101.6	47.6	11.3	21.4	53.0	32.0	5.0	5.0	29,900	1.9
KD94-WR	101.6	50.8	14.5	30.0	70.0	38.1	6.5	6.5	45,300	3.0

\*mm